

AMLIGHT 2015

SAAC Update
Chip Cox

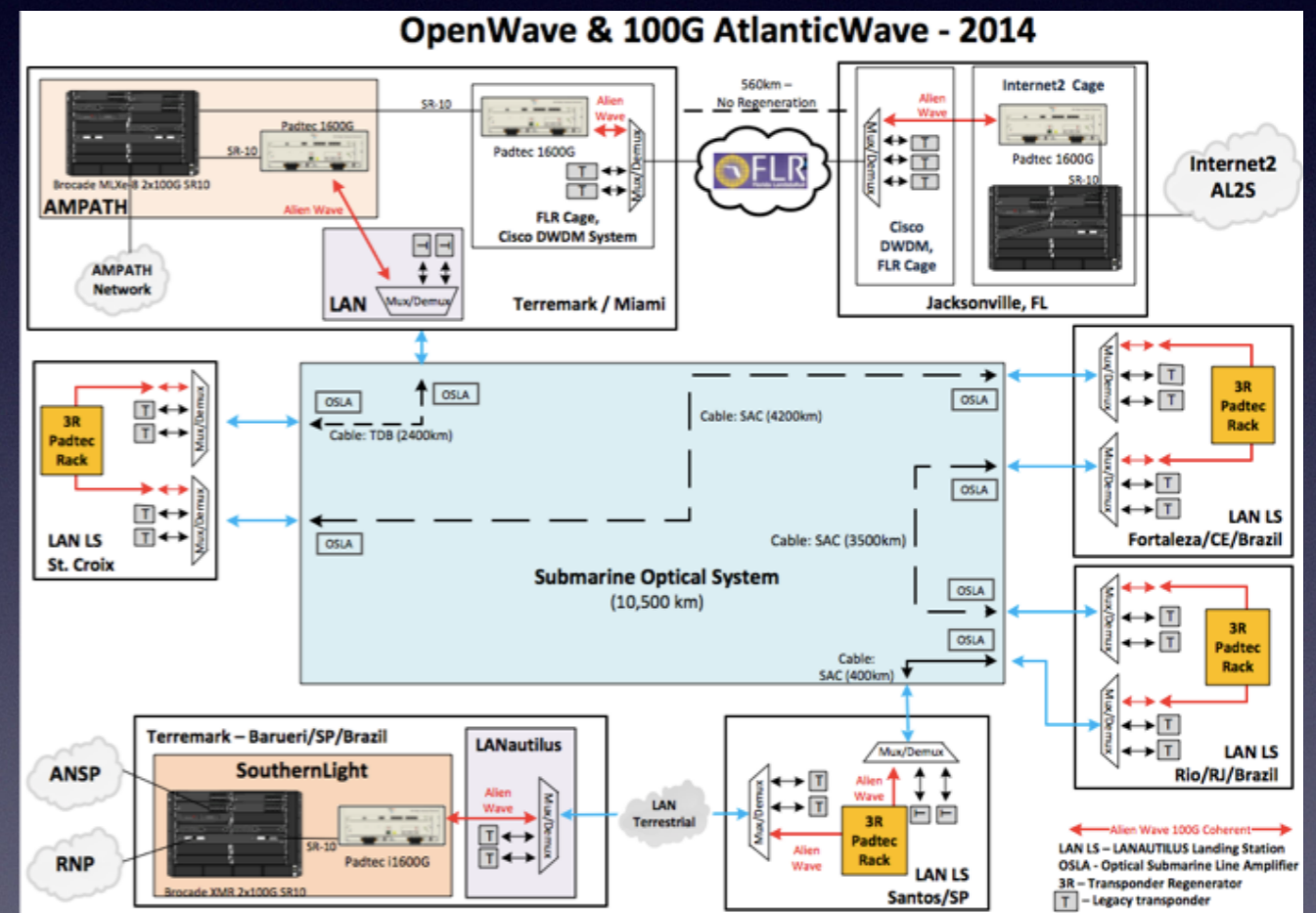


News

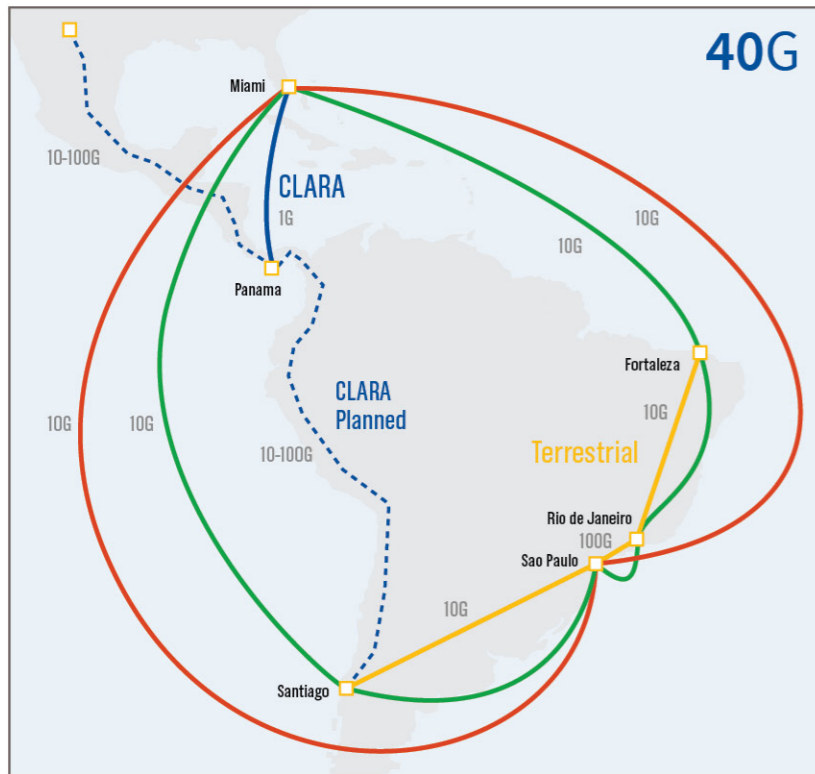
- NSF CISE cooperative agreement for 2015-2020 is in place
- LSST Sub Award is in place
- ANSP matching FAPESP award in place
- RNP planning on similar step by mid year

Open Wave

- Fundamental transitional experimentation
 - What we learn will enable our next twenty years
 - Miami-Jacksonville operational.. yesterday!
 - Modeled OSNR challenge St. Croix-FTLZ resulted in DSP API reworking. (Delayed five months)



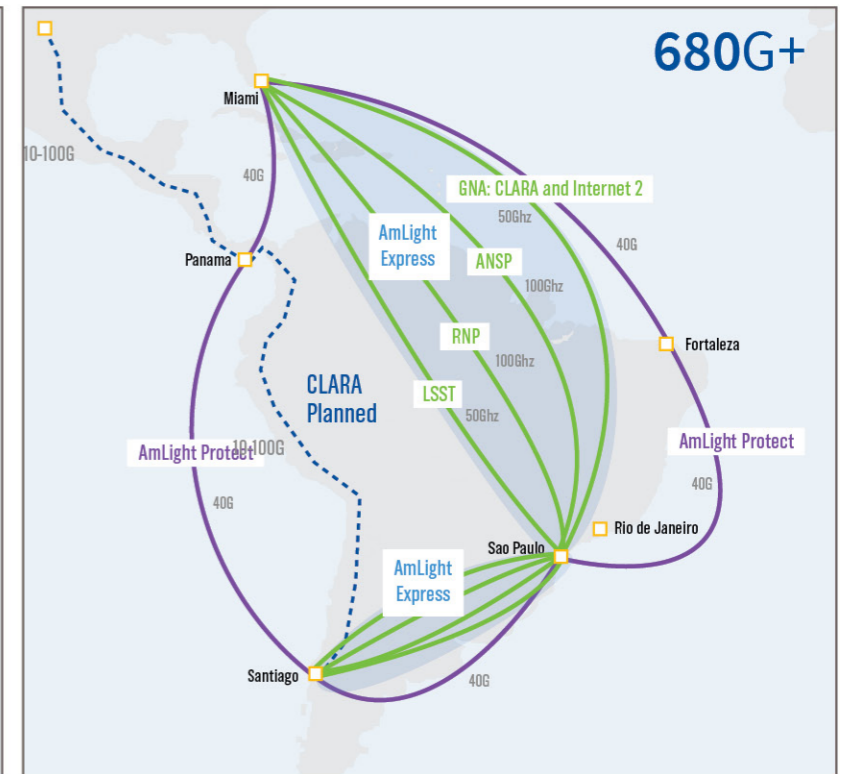
Backbone: AMLIGHT: Current to 2031



Current



2015-2017



2018-2031

Amlight Strategy

Evolving Capacity



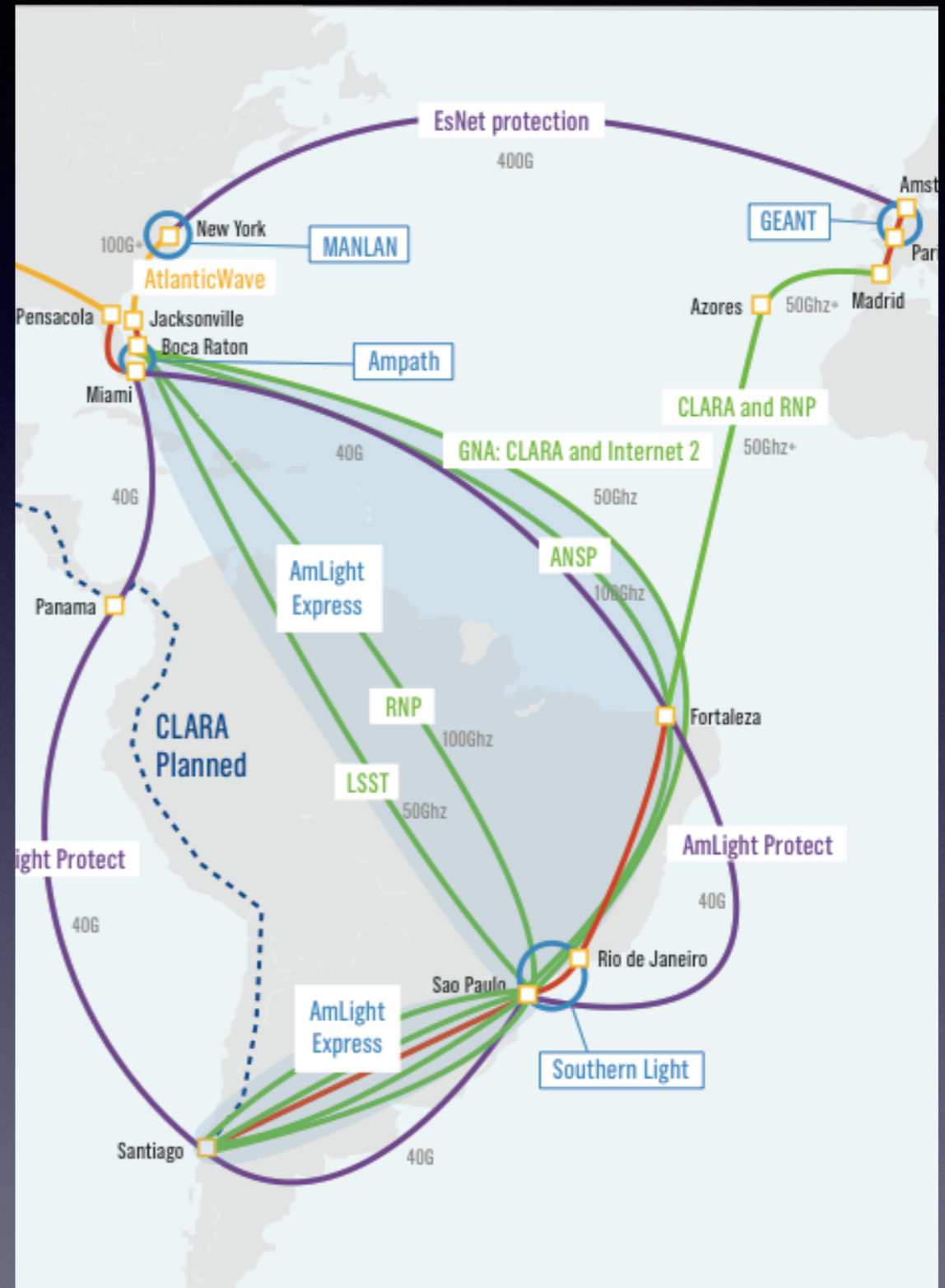
Exciting 1q2016

Negotiations not finalized...

Near Future

A new world of collaborative mutual R&E protections

14 different rings of protection from Chile to the U.S.



Challenges

- Finalize contracts in 2015
- Panama-Costa Rica short submarine hop and Mexico to enable RedCLARA terrestrial backbone
- Valparaiso landing station access
- Rio-Sao Paulo Terrestrial and Submarine ring
- Longterm RNP Sao Paulo-B.A. solution
- Executing AMLIGHT SDX for Boca and Miami Locations, over all switch / optical infrastructure



thanks